

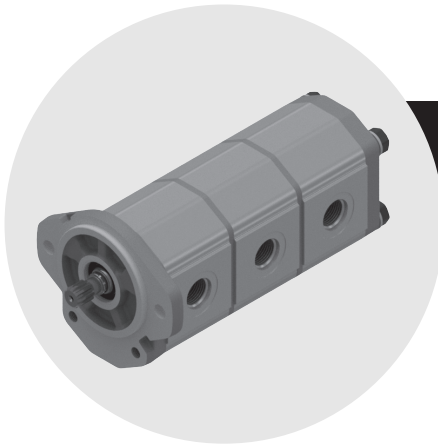
Mini Excavators



Roquet Hydraulics, S.L.
Antoni Figueras, 91, bloc B
08551 Tona | Barcelona | Spain
Phone: +34 938 124 664
info@roquetgroup.com
www.roquetgroup.com

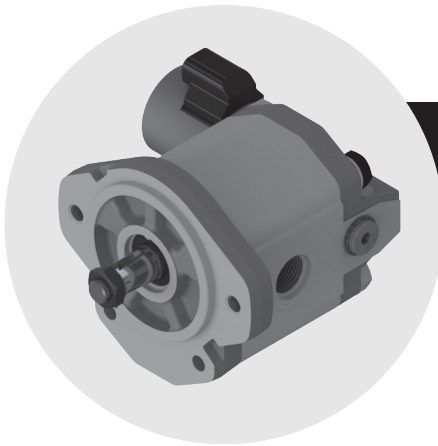
Roquet
making moves





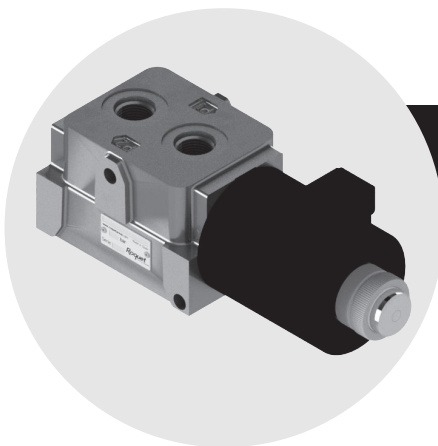
Main Pump

- Multiple group 2 gear pump.
- Body material: Aluminium (Cast Iron available).
- Displacement: from 4 to 26,7 cm³/rev.
- Continuous max. pressure: up to 275 bar*.



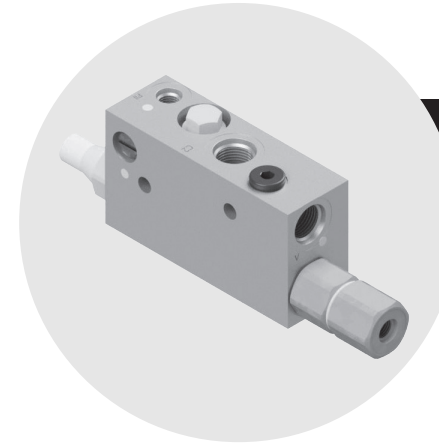
Fan Motor

- Group 3 Aluminium motor with pressure proportional relief valve.
- Displacements, front flanges, drive shafts and ports most common available.
- Voltage range: 12V DC / 24V DC.
- Connectors Deutsch DT04-2P and DIN 43650 / ISO 4400.



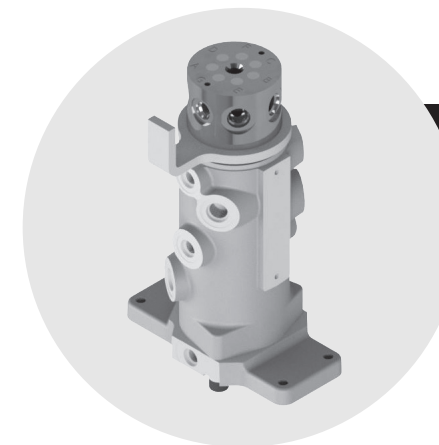
Diverter Valves

- High-strength cast-iron bodies.
- Casehardened close tolerance spools for long life and low leakage.
- Good combined flow/pressure performance.



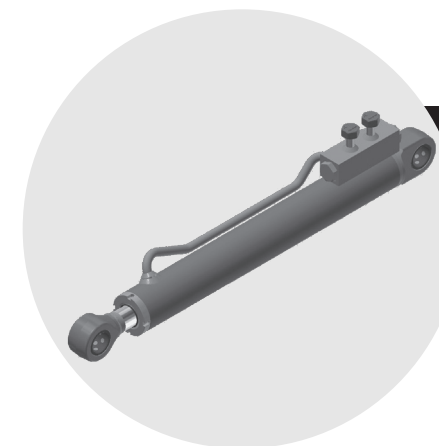
Load Hold Valve

- Maximum flow: 100 l/min.
- Maximum pressure: 350 bar.
- Pilot pressure: from 0 to 30 bar.
- With secondary relief valve.
- Possibility to develop special metering.
- High spool sensibility.
- Leakage less than 1cm³/min.
- Low pressure drop.
- Manual emergency override.



Swivel Joints

- Standard max. pressure: 300 bar.
- Peak pressure: up to 550 bar.
- Adaptability in terms of working pressure and flow required.
- Possibility to develop special casting, grey and nodular iron (own foundry).
- We are focused on low pressure drop designs.
- Low friction & high performance seals.



Cylinders

- Tube internal diameter finished after welding.
- High rod corrosion resistance: NSS or CASS rating.
- Best-in-class highly automated manufacturing, automated assembly and test and painting processes.
- Main weldings 100% robotized. Rod friction welding available.
- Forging components, wide range of bearing types.
- Cushioned options both ends.
- Bucked & Arms robust designs.
- Integrated valve blocks.

